

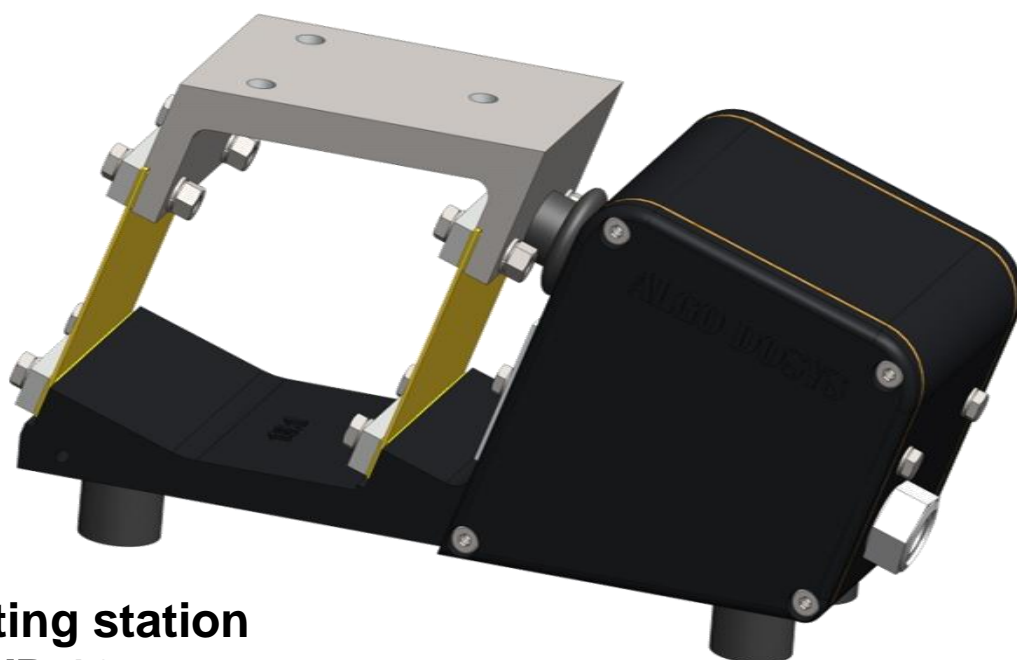


ALGO DOSYS SAGL

Sistemi di dosaggio

MWSt. / IVA No.: CHE-352.939.943

PIAZZALE RONCÀA 4
CH-6850 MENDRISIO
TEL / FAX +41 91 630 14 59
info@algodosys.com
www.algodosys.com



**Vibrating station
type VP-12**

Small electromagnetic vibrating base VP-12

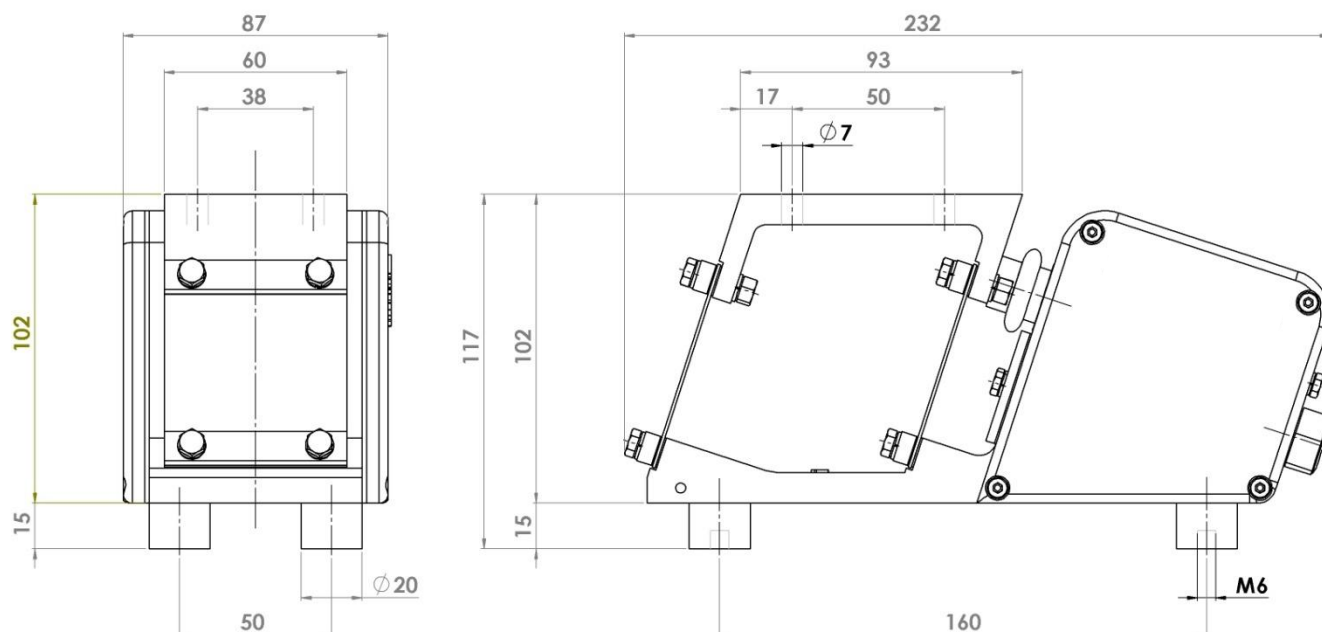


ALGO DOSYS SAGL

Sistemi di dosaggio

MWSt. / IVA No.: CHE-352.939.943

PIAZZALE RONCÀA 4
CH-6850 MENDRISIO
TEL / FAX +41 91 630 14 59
info@algodosys.com
www.algodosys.com



ELECTRICAL AND MECHANICAL SPECIFICS

MAIN INDUSTRIES OF USE	Plastic, Rubber, Foods, Chemistry, Cosmetics
WEIGHT VP - 12	5 Kg
CHANNEL WEIGHT	CONFIGURABLE 0,5..3 Kg
FLOW RATE	FROM 0,1..60 Kg
RESONANCE FREQUENCY	VARIABLE
CONSUMPTION 230 V	150 mA
CONSUMPTION 110 V	300 mA
TYPE OF MATERIAL	IRON CAST, RAL 9005
IP PROTECTION	IP 55 / 66
TYPE OF CONTROLLER	ANY TYPE COMMERCIAL
SENSOR	NO

On request, the vibrating station can be certified for use in Atex environments.

Small electromagnetic vibrating base VP-12