

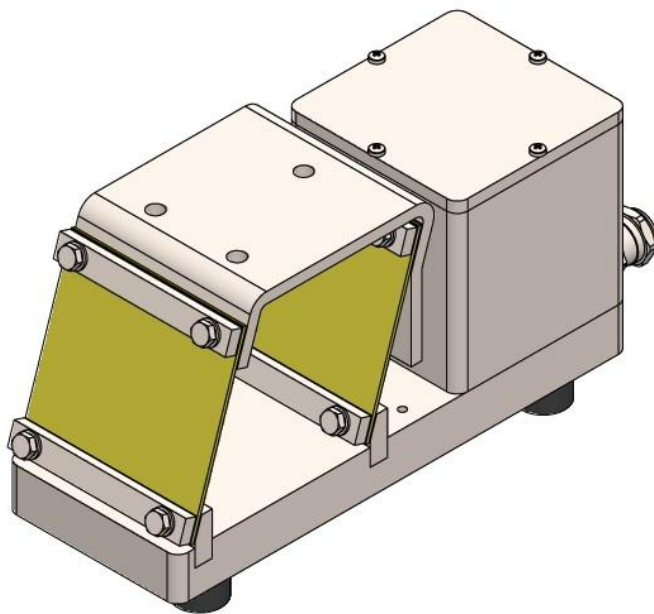


**ALGO DOSYS SAGL**

Sistemi di dosaggio

MWSt. / IVA No.: CHE-352.939.943

PIAZZALE RONCÀ 4  
CH-6850 MENDRISIO  
TEL / FAX +41 91 630 14 59  
info@algodosys.com  
[www.algodosys.com](http://www.algodosys.com)



**Ideal for transport or dosage of material as pellet, flake, granulated, recycled, additive, etc.**

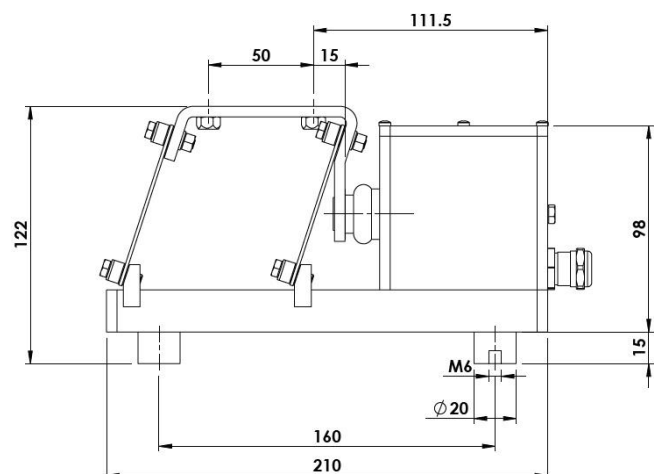
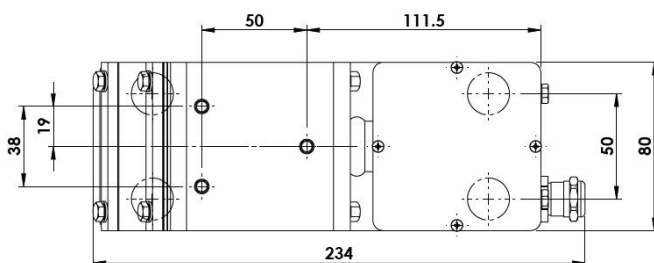
**Minimal future maintenance no lubrication**

**Low current consumption**

**Managed with any commercial controller**

**Instant start and stopping**

**Small and practical dimensions**



***Small electromagnetic vibrating base VP-10inox***



**ALGO DOSYS SAGL**

Sistemi di dosaggio

MWSt. / IVA No.: CHE-352.939.943

PIAZZALE RONCÀA 4  
CH-6850 MENDRISIO  
TEL / FAX +41 91 630 14 59  
info@algodosys.com  
[www.algodosys.com](http://www.algodosys.com)

### ELECTRICAL AND MECHANICAL SPECIFICS

WEIGHT VP - 10	5 Kg
BODY VIBRATING BASE	STAINLESS STEEL AISI 304L
HANDLING	ELECTROPOLISHED
CHANNEL WEIGHT	CONFIGURABLE FROM 0,5 TO 2,5 KG
MAX. DIMENSIONS CHANNEL	50 X 400 MM
FLOW RATE	FROM 0,1 TO 60 KG
AMPLITUDE	1,8 MM
RESONANCE FREQUENCY	VARIABLE
CONSUMPTION 230 V	0,2 A
ELECTRICAL COIL	AD DA1302 230V 50-60HZ
LEAF SPRINGS	NON-WOVEN FIBREGLASS
HARDNESS LEAF SPRINGS	70 SH
SENSOR	NO
IP PROTECTION	IP 55
SCHOCKS ABSORBED	FROM 40 TO 70 SH
CABLE	3 X 1,5 MM, LENGTH 2 MT
CABLE GLAND	M20 X 1,5 NICKEL PLATED BRASS
AMBIENT CONDITIONS	( -60°C - +75°C )

### CONFIGURATION LEAF - SPRINGS / CHANNEL

WHEIGHT CHANNEL	FRONT LEAF - SPRINGS	REAR LEAF - SPRINGS
FROM 0,5 TO 1 KG	1 X 1,5 MM	1 X 1,5 MM
FROM 1 TO 2,5 KG	1 X 2,0 MM	1 X 2,0 MM

On request, the vibrating station can be certified for use in Atex environments.  
Other colors on request.

***Small electromagnetic vibrating base VP-10inox***