

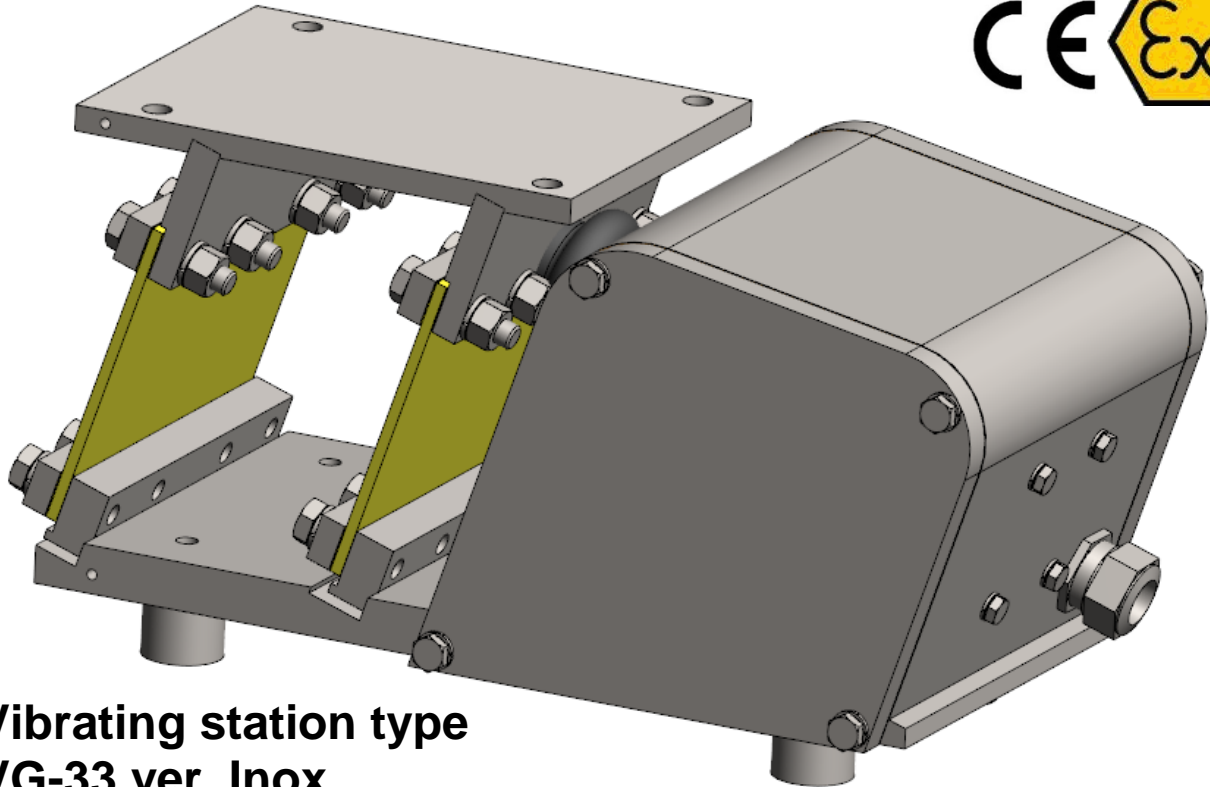


ALGO DOSYS SAGL

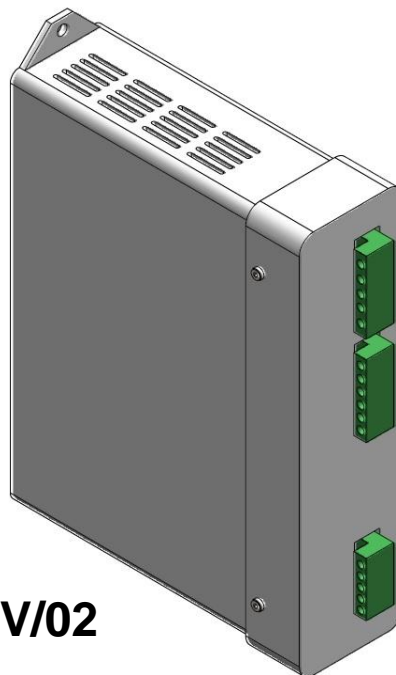
Sistemi di dosaggio

MWSt. / IVA No.: CHE-352.939.943

PIAZZALE RONCÀ 4
CH-6850 MENDRISIO
TEL / FAX +41 91 630 14 59
info@algodosys.com
www.algodosys.com



**Vibrating station type
VG-33 ver. Inox**



Controller type CDVV/02

***Big electromagnetic vibrating base VG-33inox +
Vibrator Drive CDVV/02***

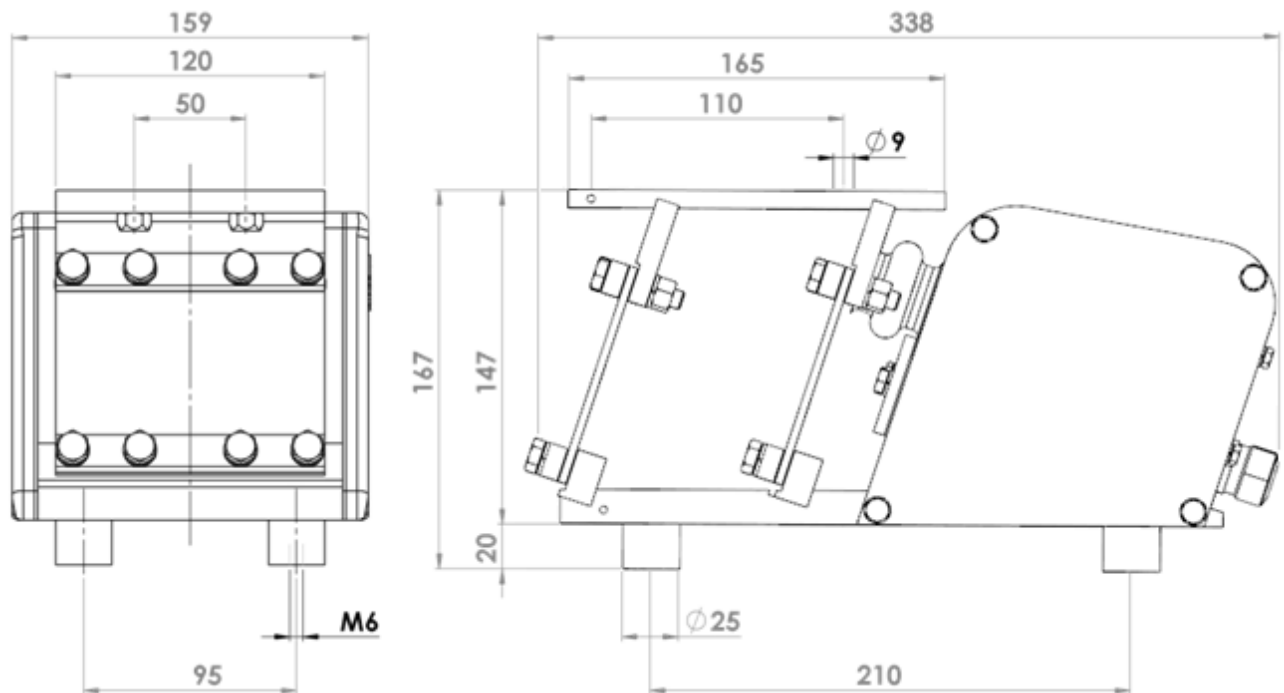


ALGO DOSYS SAGL

Sistemi di dosaggio

MWSt. / IVA No.: CHE-352.939.943

PIAZZALE RONCÀ 4
CH-6850 MENDRISIO
TEL / FAX +41 91 630 14 59
info@algodosys.com
www.algodosys.com



Electrical and Mechanical specifics

MAIN INDUSTRIES OF USE	Foods, Chemistry, Pharmaceuticals, Cosmetics
WEIGHT VG - 33	15 Kg
CHANNEL WEIGHT	configurable 1 .. 20 Kg
FLOW RATE Kg/h	50 .. 7'000 Kg/h
RESONANCE FREQUENCY	Variable 40..65 Hz
CONSUMPTION 230 V	350 mA
CONSUMPTION 110 V	850 mA
TYPE OF STEEL	AISI 304
IP PROTECTION	IP 55 / 66
TYPE OF CONTROLLER	CDVV/02
SENSOR	TACHOMETER SENSOR

On request, the vibrating station can be certified for use in Atex environments

***Big electromagnetic vibrating base VG-33inox +
Vibrator Drive CDVV/02***